

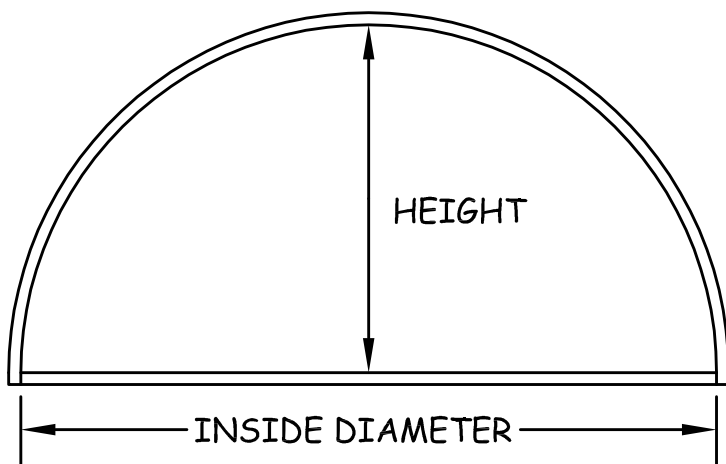
**ARCHITECTURAL ACCENTS, INC.**  
*ARCHITECTURAL WOOD PRODUCTS*  
9760 INDIANA PARKWAY  
MUNSTER, IN 46321

(219) 922-9333 SHOP & OFFICE

(219) 922-9350 FAX

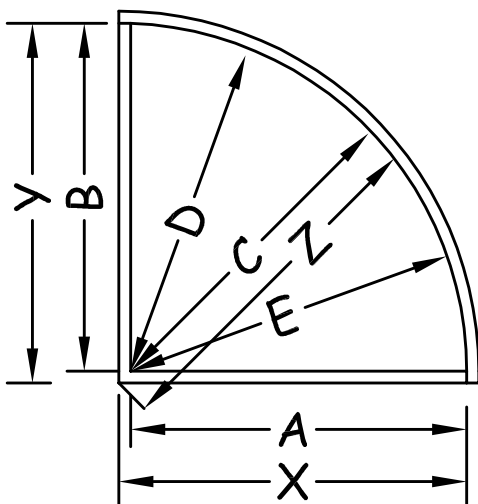
**MEASUREMENT INSTRUCTIONS**

TRUE 1/2-CIRCLE CASINGS



MEASURE INSIDE DIAMETER AND  
INSIDE HEIGHT

TRUE 1/4-CIRCLE CASINGS



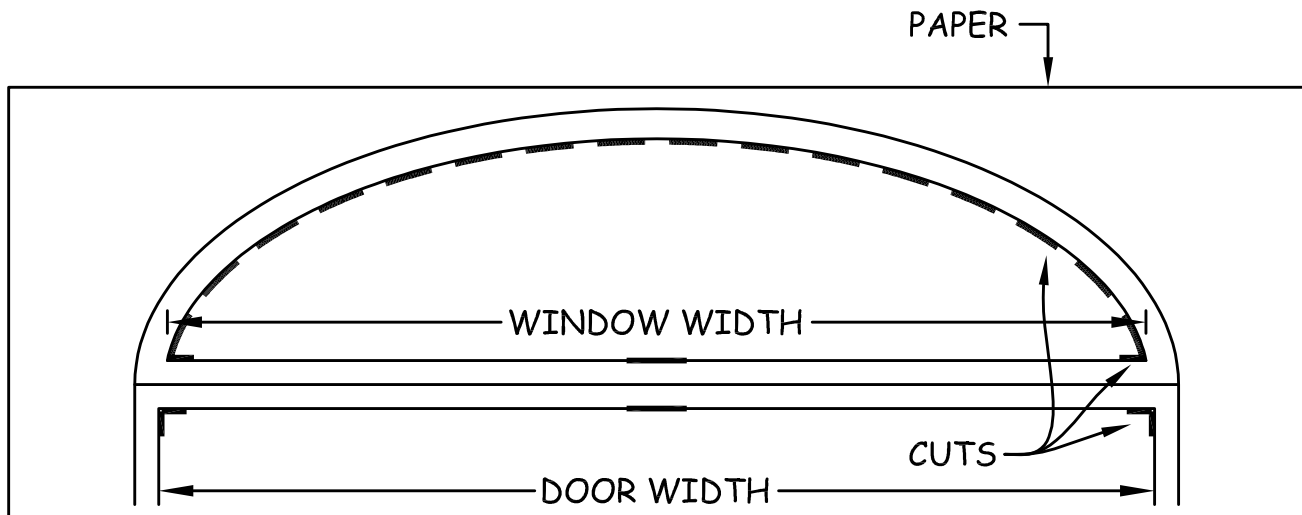
MEASURE A, B, & C.  
IF THE SAME, IT IS TRUE RADIUS. IF  
NOT, MEASURE X, Y, & Z.  
IF THE SAME, IT IS TRUE RADIUS. IF  
NOT, THE BEST THING TO DO IS TO  
MAKE A TEMPLATE. IF THAT IS  
TOO DIFFICULT, GIVE US  
MEASUREMENTS A,B,C,D, & E AND  
WE WILL TRY TO CREATE THE  
RADIUS AT A NOMINAL CHARGE.

**ARCHITECTURAL ACCENTS, INC.**  
*ARCHITECTURAL WOOD PRODUCTS*  
9760 INDIANA PARKWAY  
MUNSTER, IN 46321

(219) 922-9333 SHOP & OFFICE

(219) 922-9350 FAX

## TEMPLATE INSTRUCTIONS



MANY ELLIPTICAL WINDOWS DO NOT RETURN TO VERTICAL AT THEIR BASE LINE. INDICATE ON THE TEMPLATE HOW YOU WANT THE TAILS TO FOLLOW. AS SHOWN ABOVE, MAKE CUTS IN TEMPLATE FOR DOOR OR WINDOW BELOW ELLIPSE AND INDICATE ITS WIDTH.

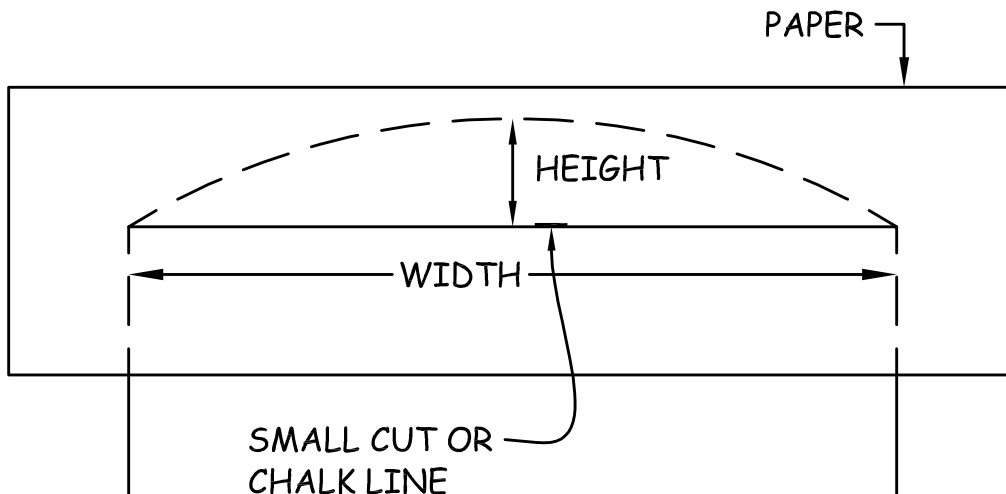
ALL OTHER INSTRUCTIONS ON ORIGINAL TEMPLATE INSTRUCTION SHEET STILL APPLY.

**ARCHITECTURAL ACCENTS, INC.**  
*ARCHITECTURAL WOOD PRODUCTS*  
9760 INDIANA PARKWAY  
MUNSTER, IN 46321

(219) 922-9333 SHOP & OFFICE

(219) 922-9350 FAX

## TEMPLATE INSTRUCTIONS



1. TACK THE PAPER TO THE JAMB. MAKE SURE THE PAPER IS TIGHT ACROSS THE WINDOW OPENING.
2. SNAP A CHALK LINE ACROSS BOTTOM OF WINDOW JAMB OR MAKE SMALL BOTTOM CUT.
3. CUT PAPER IN SLOTTED FASHION, USING LONG BLADE KNIFE AND HOLD TIGHT TO JAMB. DO NOT CUT AWAY TOTALLY. CUT IN "SLOTTED FASHION", 6" LONG CUTS, 1" SPACE. CUT TO INSIDE OF JAMB WHEREVER POSSIBLE. **IF CUT MUST BE MADE TO OUTSIDE OF JAMB, BE SURE TO INDICATE THIS AND NOTE THE JAMB THICKNESS. WE WILL ADD FOR ¼" CASING REVEAL.**
4. MEASURE WIDTH ACROSS BOTTOM AND WRITE IT ON TEMPLATE. MEASURE HEIGHT AND WRITE IT ON TEMPLATE. CHECK THESE DIMENSIONS TO THE CUTS. **PLEASE NOTE:** WRITE ON THE FRONT OF THE PAPER.

**NOTE:** THE DIMENSIONS ARE VERY IMPORTANT AS THE PAPER CAN STRETCH OR SHRINK WITH CHANGES IN HUMIDITY. THE DIMENSIONS ALLOW US TO CROSS-CHECK THE TEMPLATE SIZE.